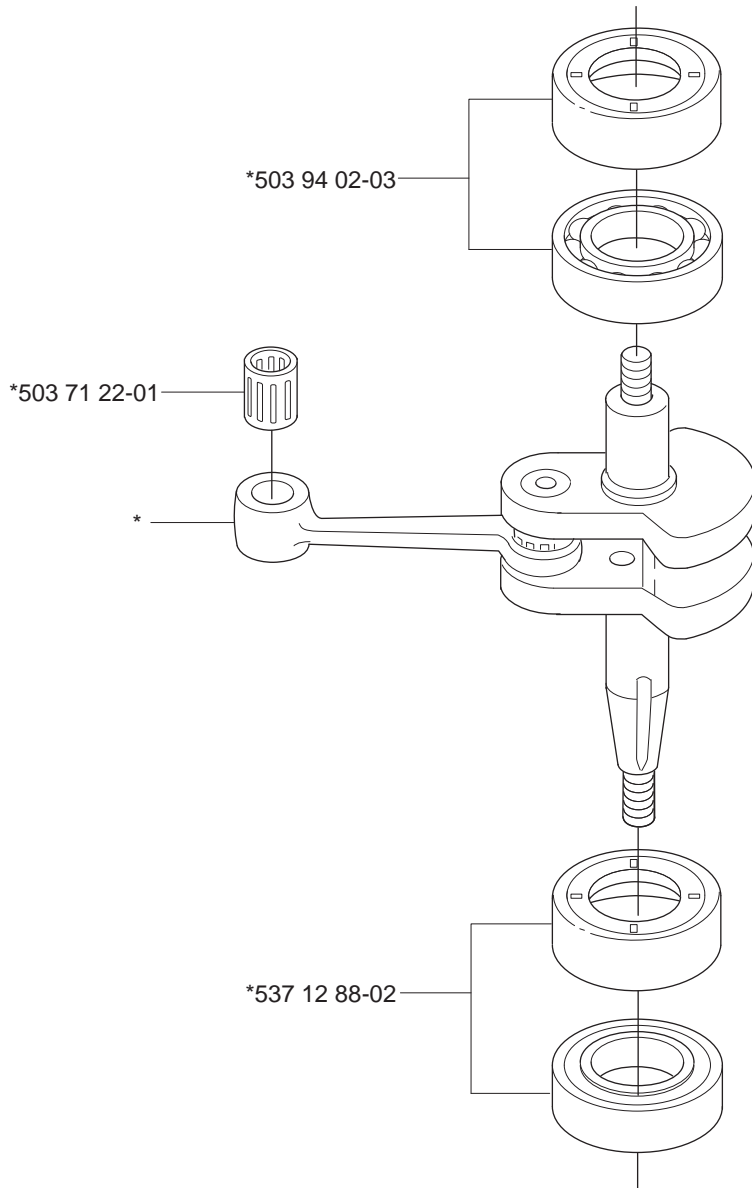


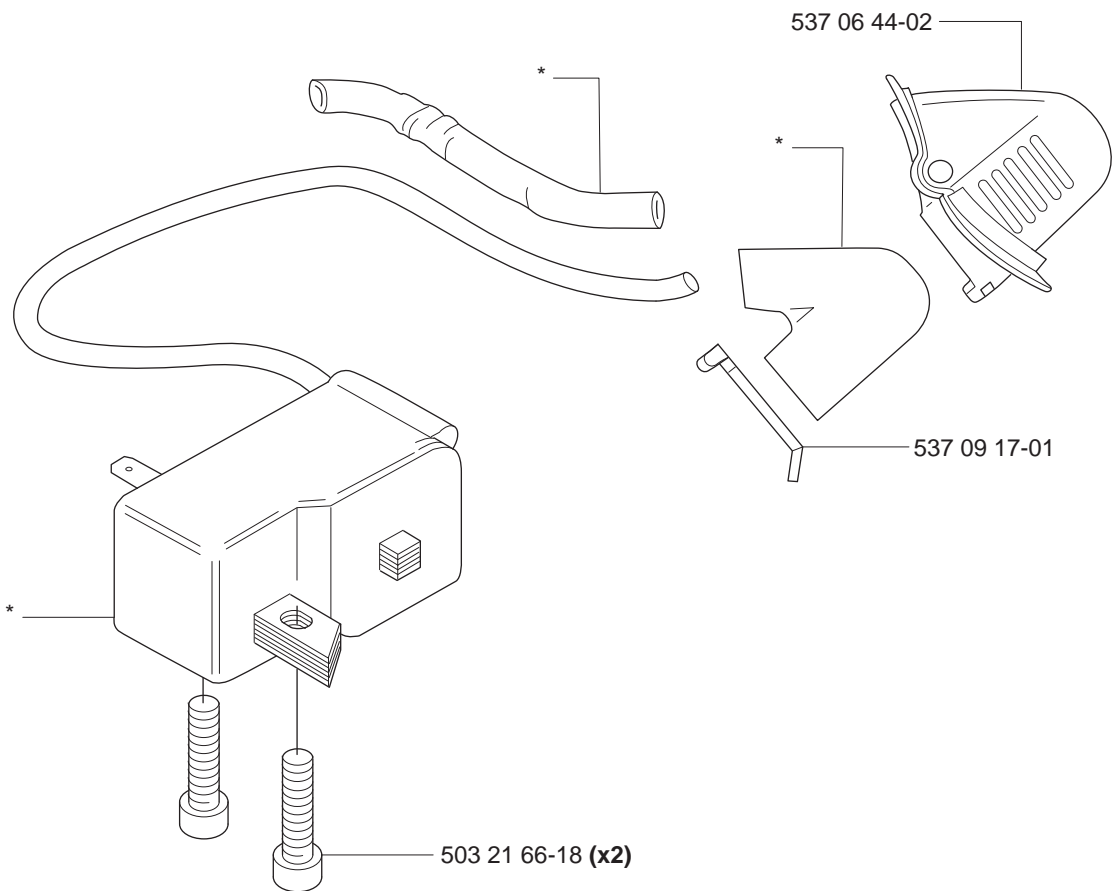
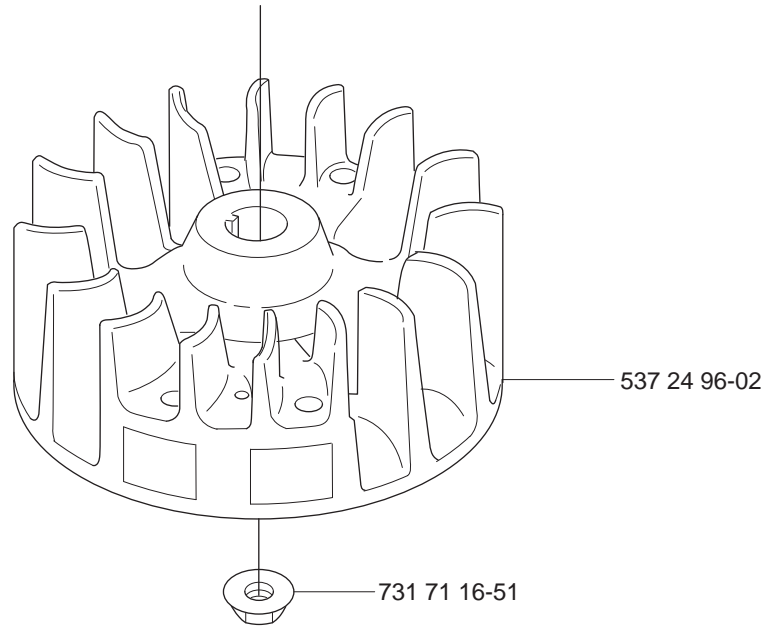
A

*compl 537 12 81-77

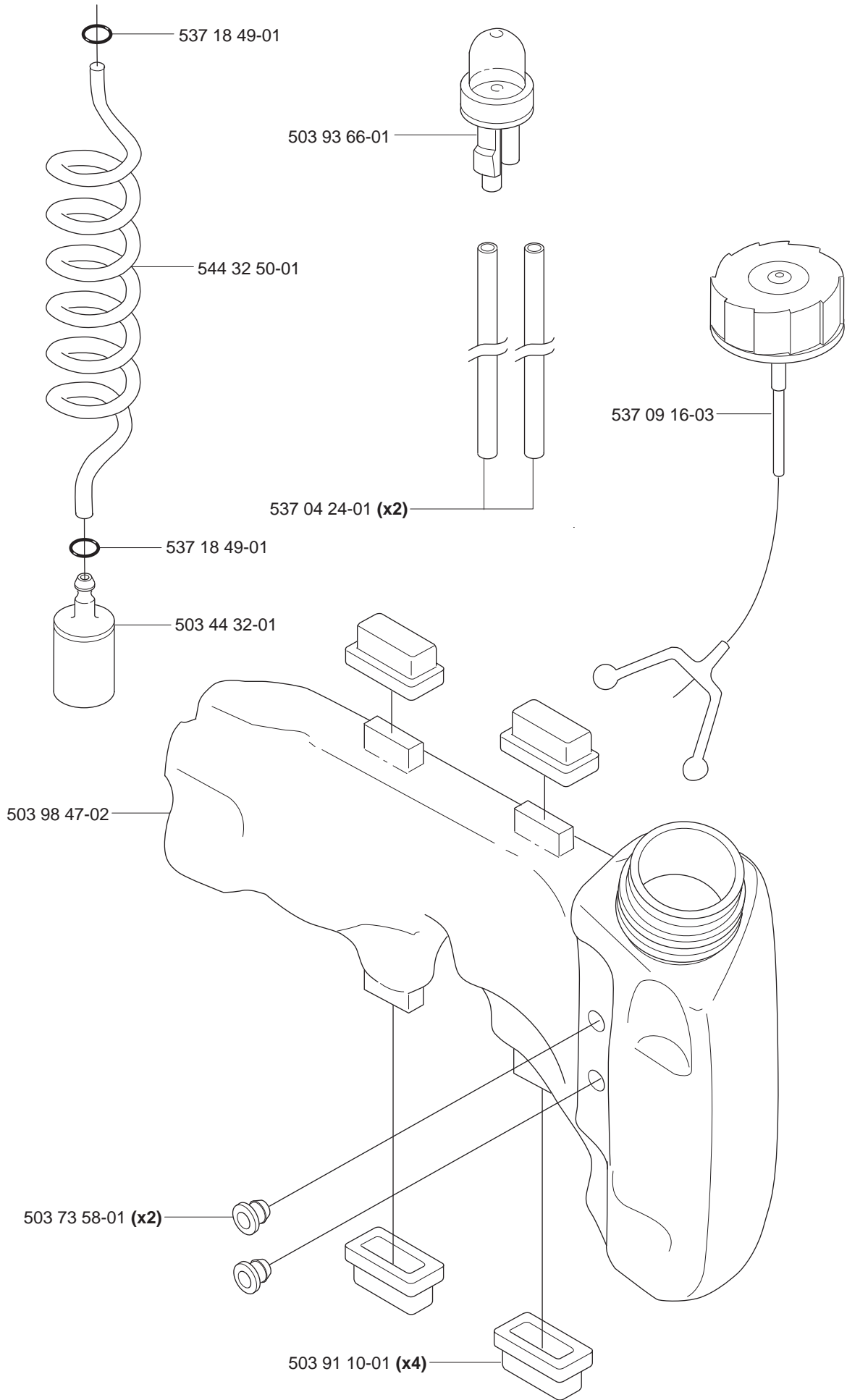


B

*compl 537 41 88-01



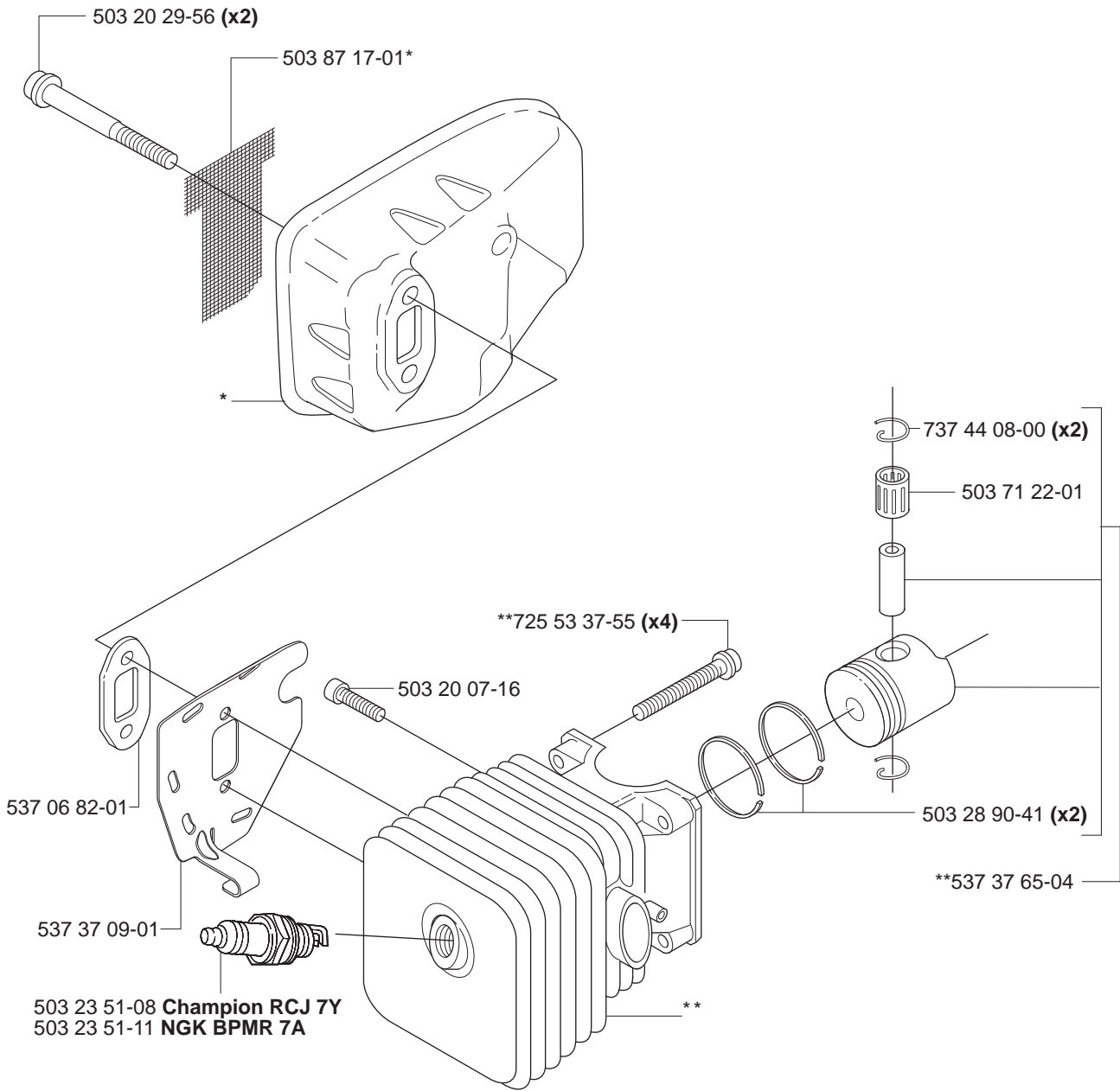
C



D

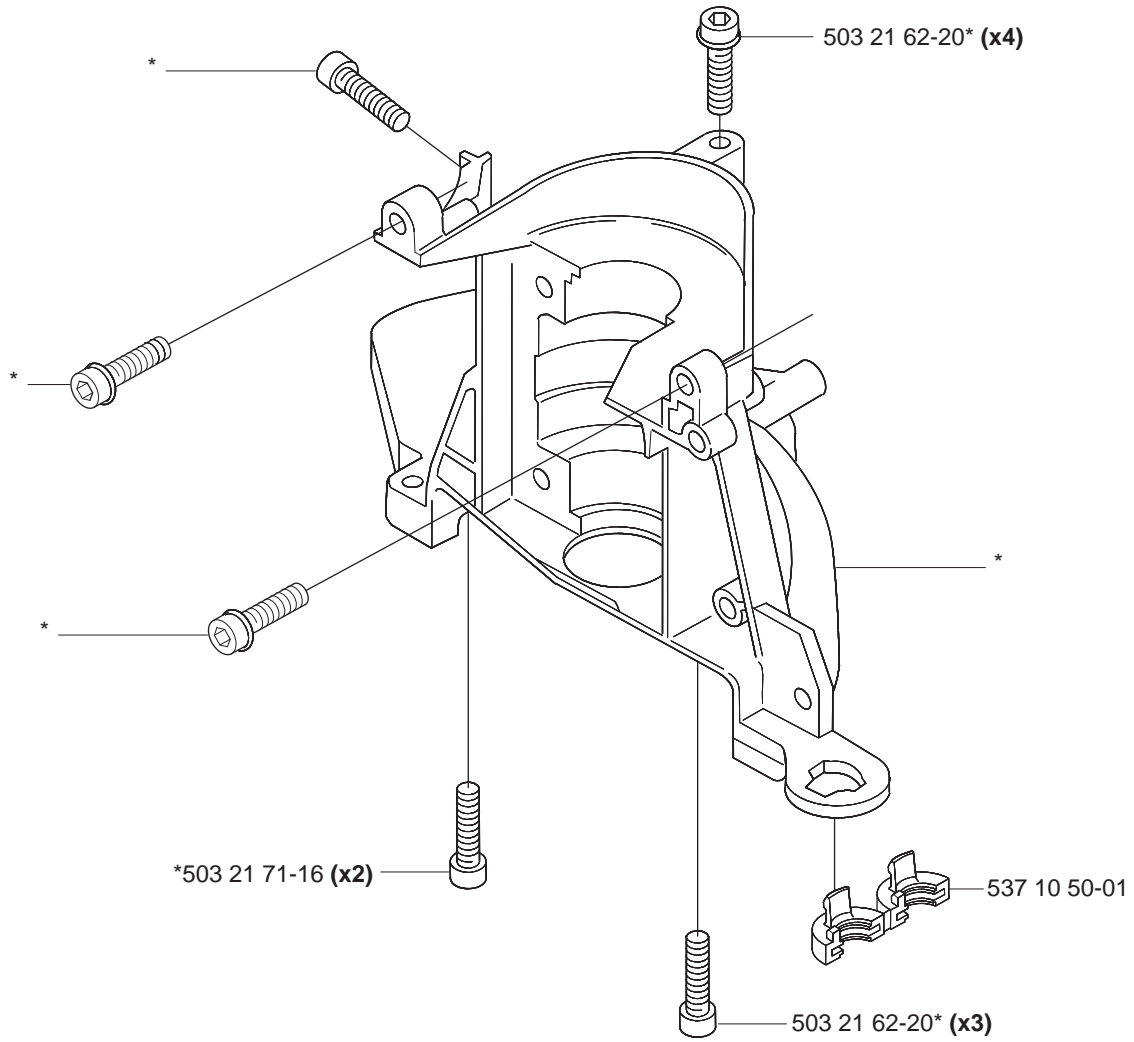
*compl 537 04 57-01

**compl 537 03 20-08

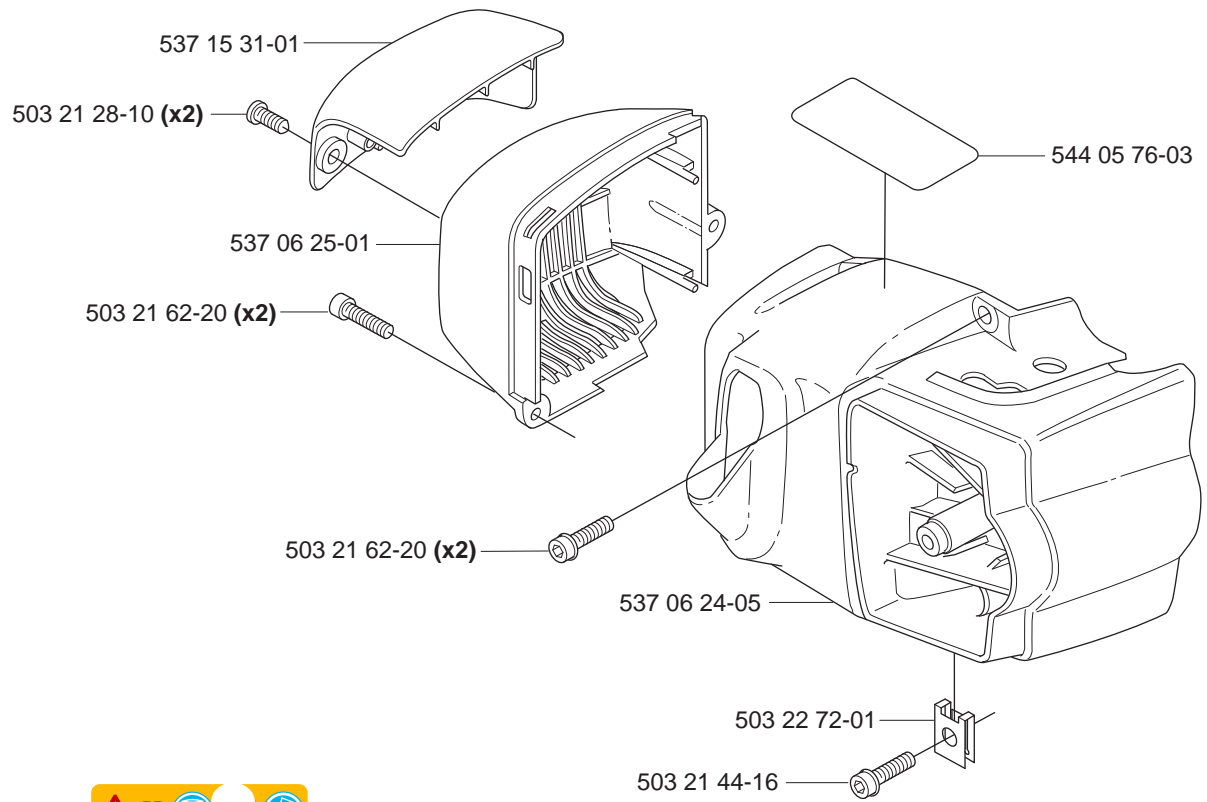


E

*compl 537 04 11-02

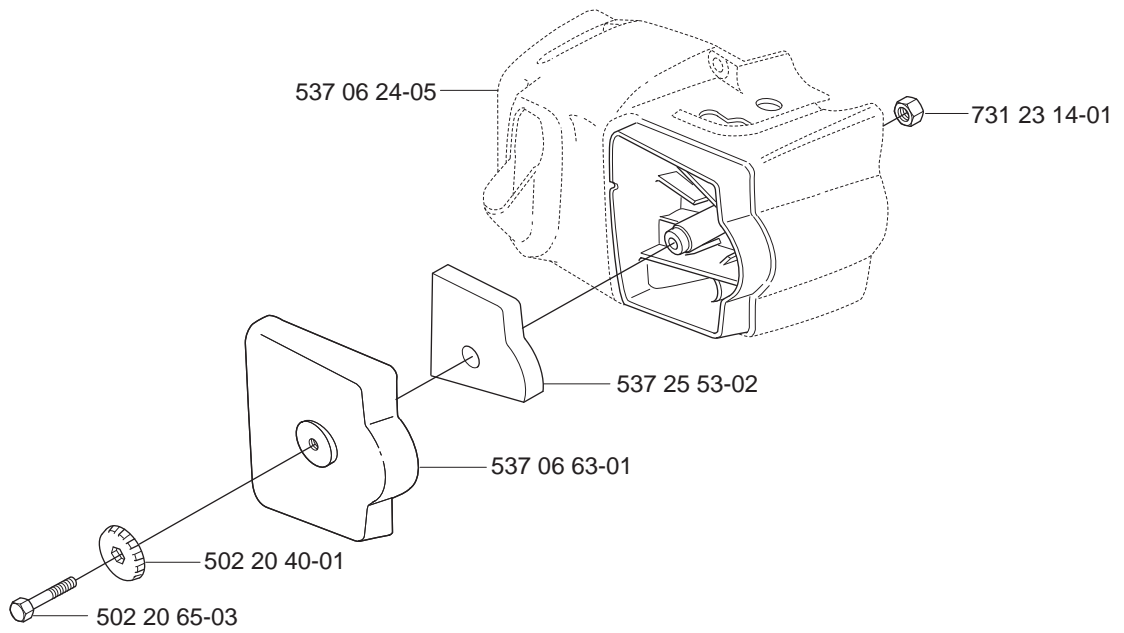
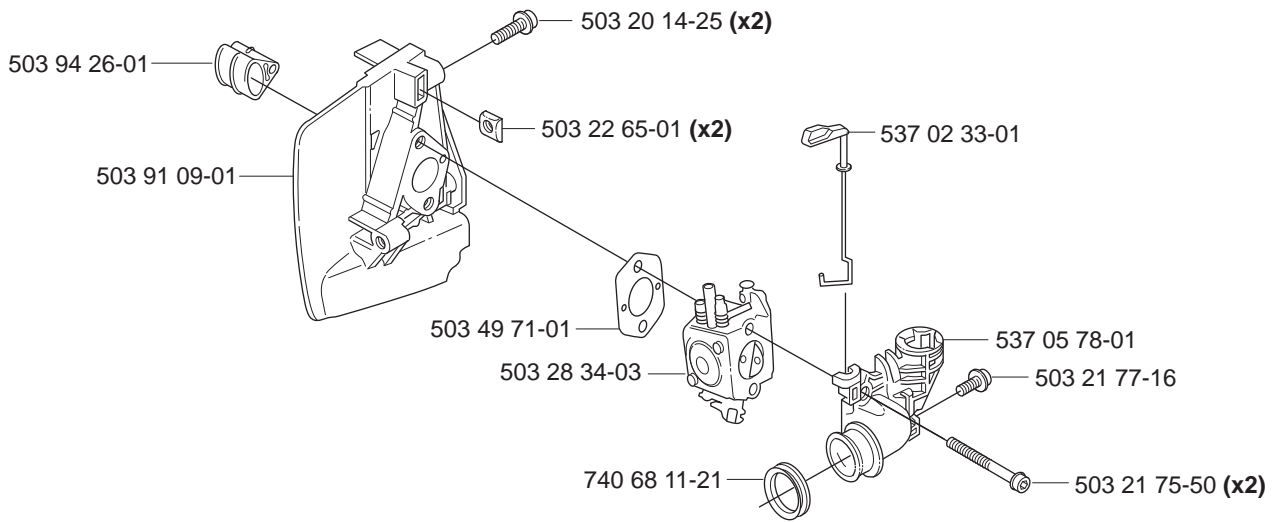


F



544 05 76-03

G



H

*compl 544 00 25-02

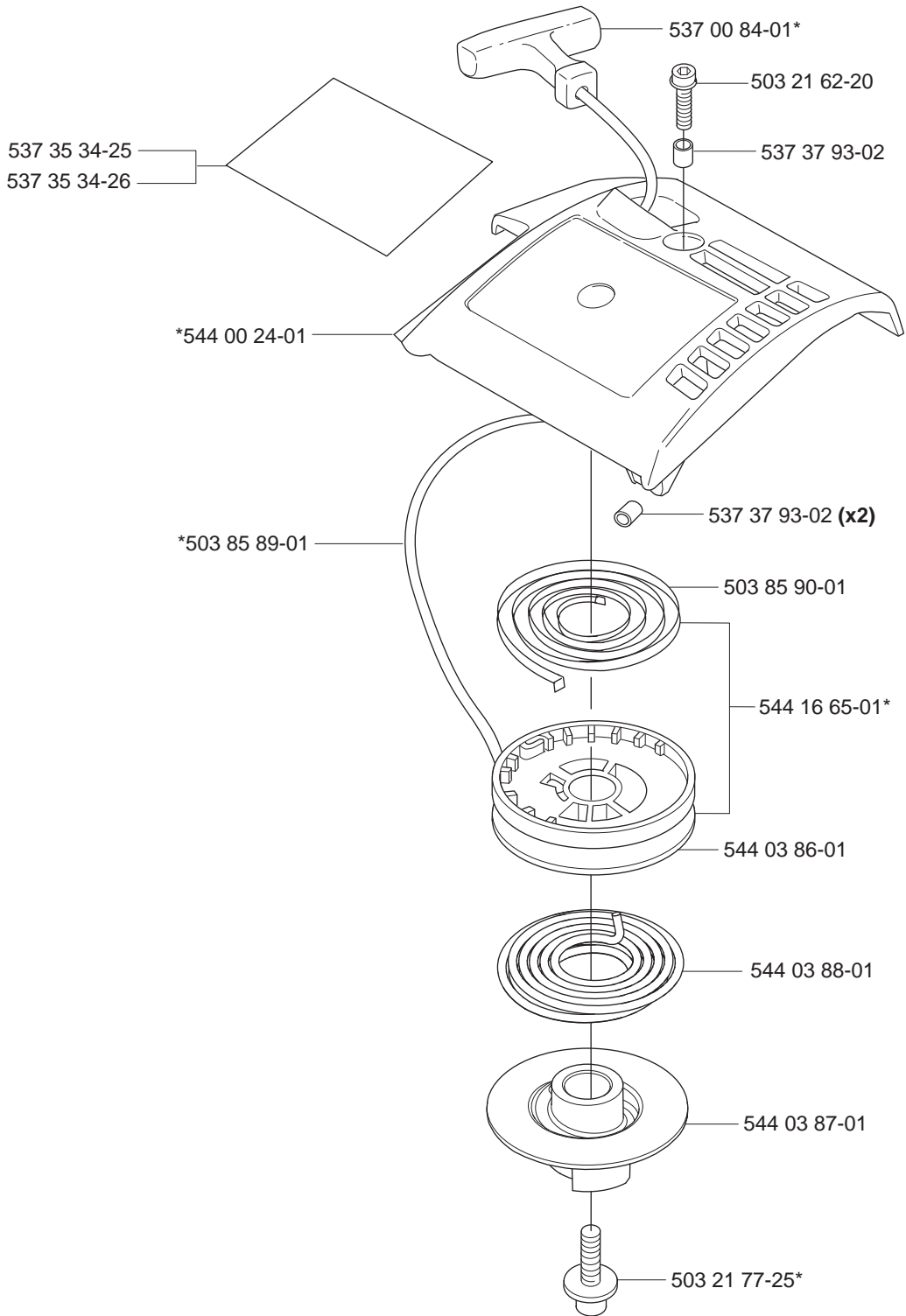
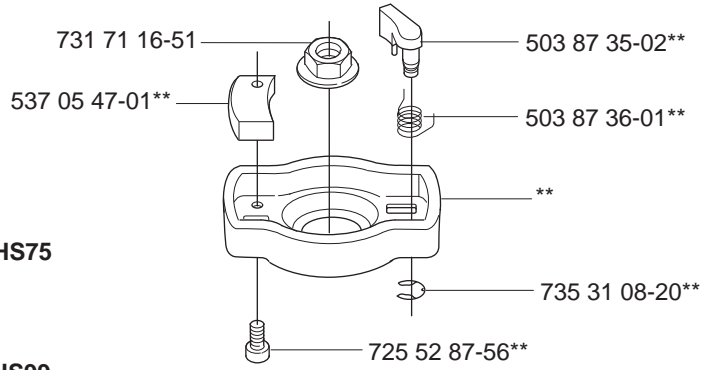
**compl 503 87 33-03



537 35 34-25 **325HS75**

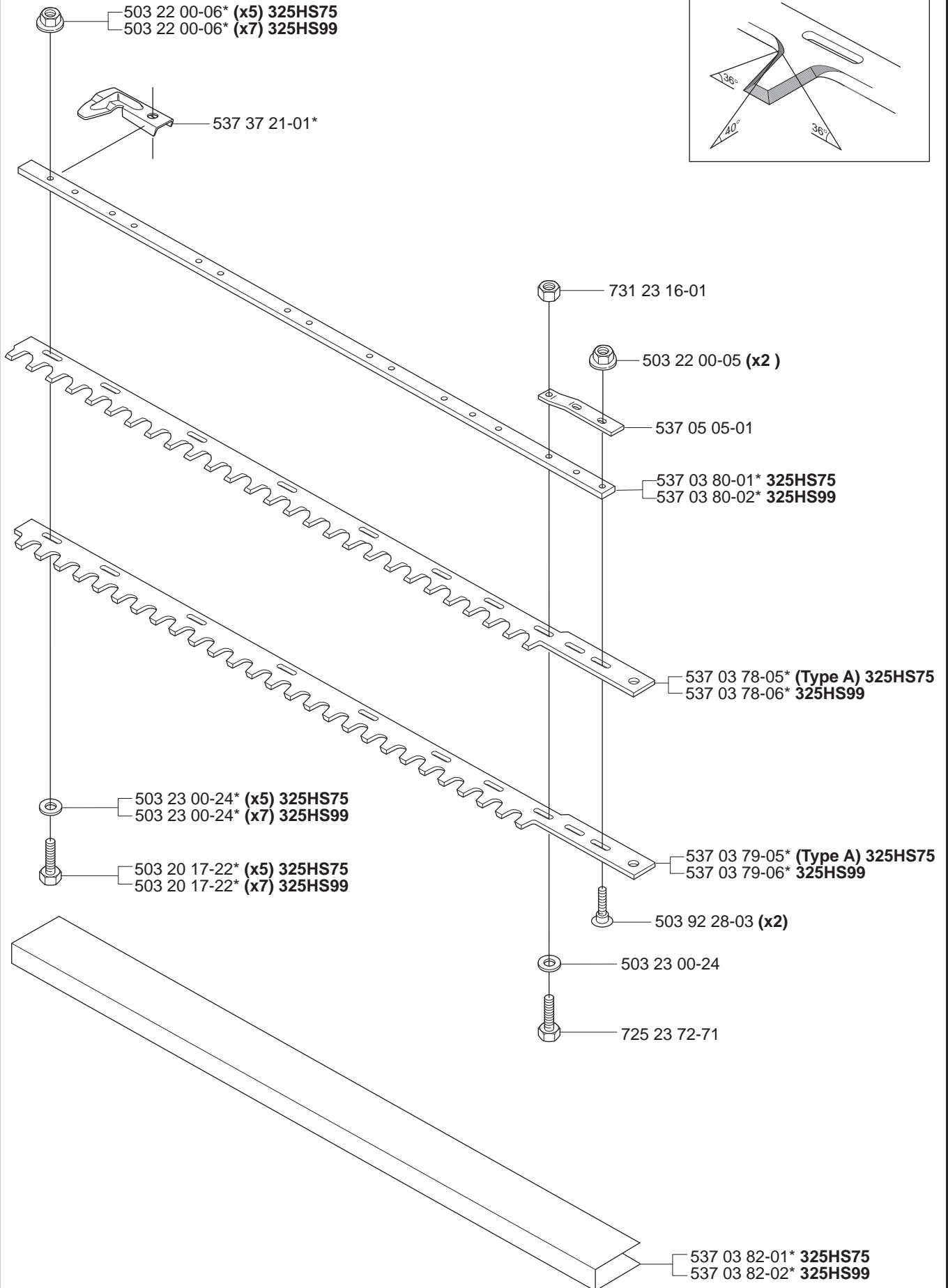
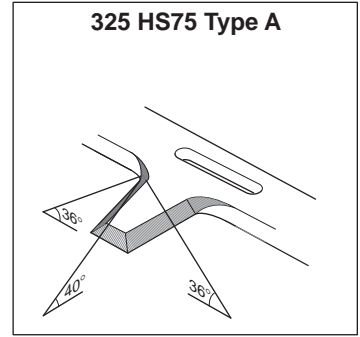


537 35 34-26 **325HS99**



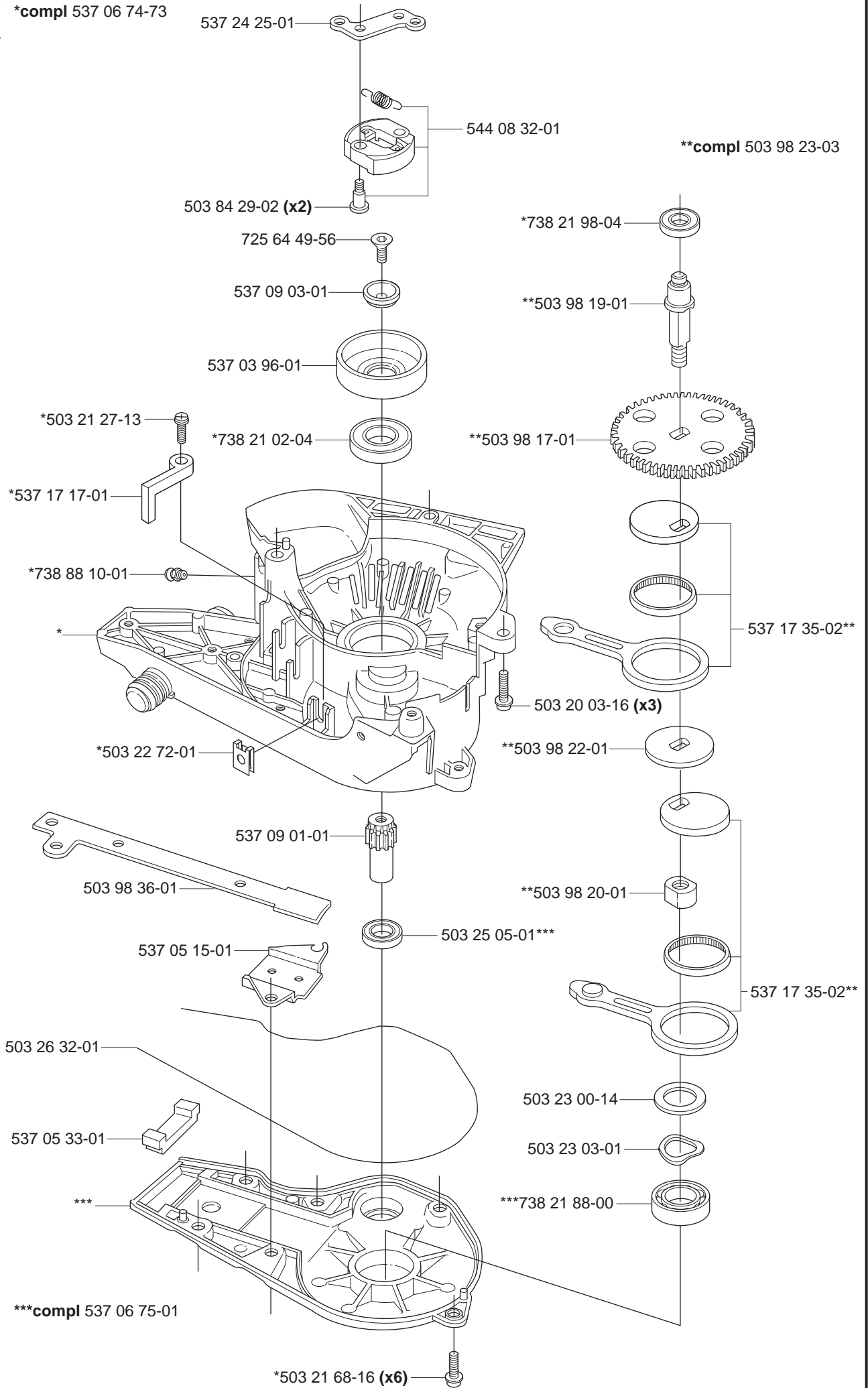
J

*compl 537 03 77-07 (Type A) 325HS75
 *compl 537 03 77-08 325HS99

325 HS75 Type A

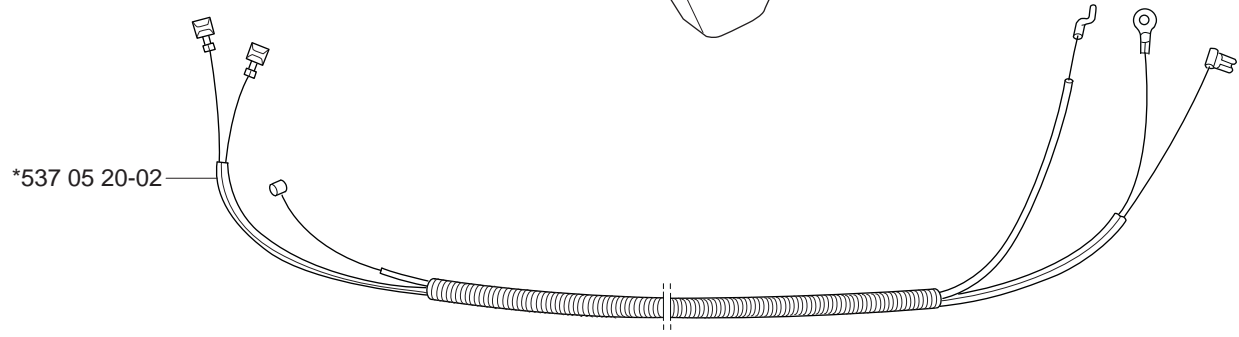
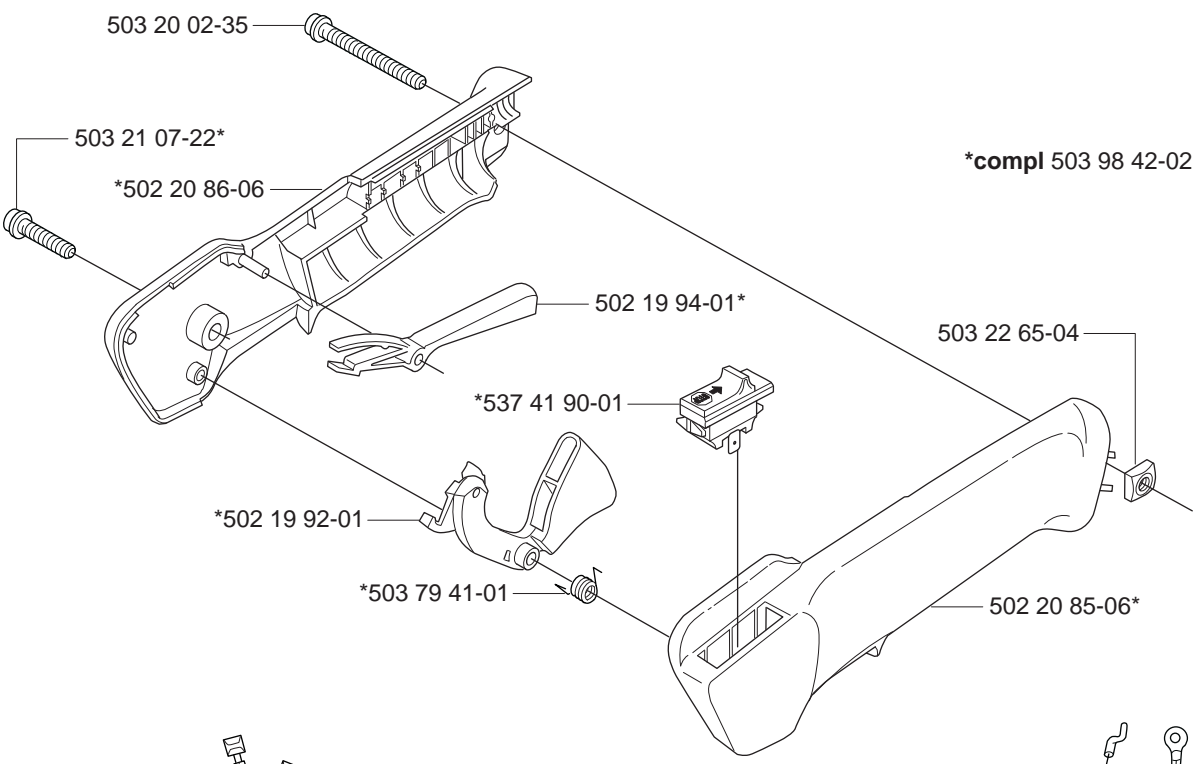
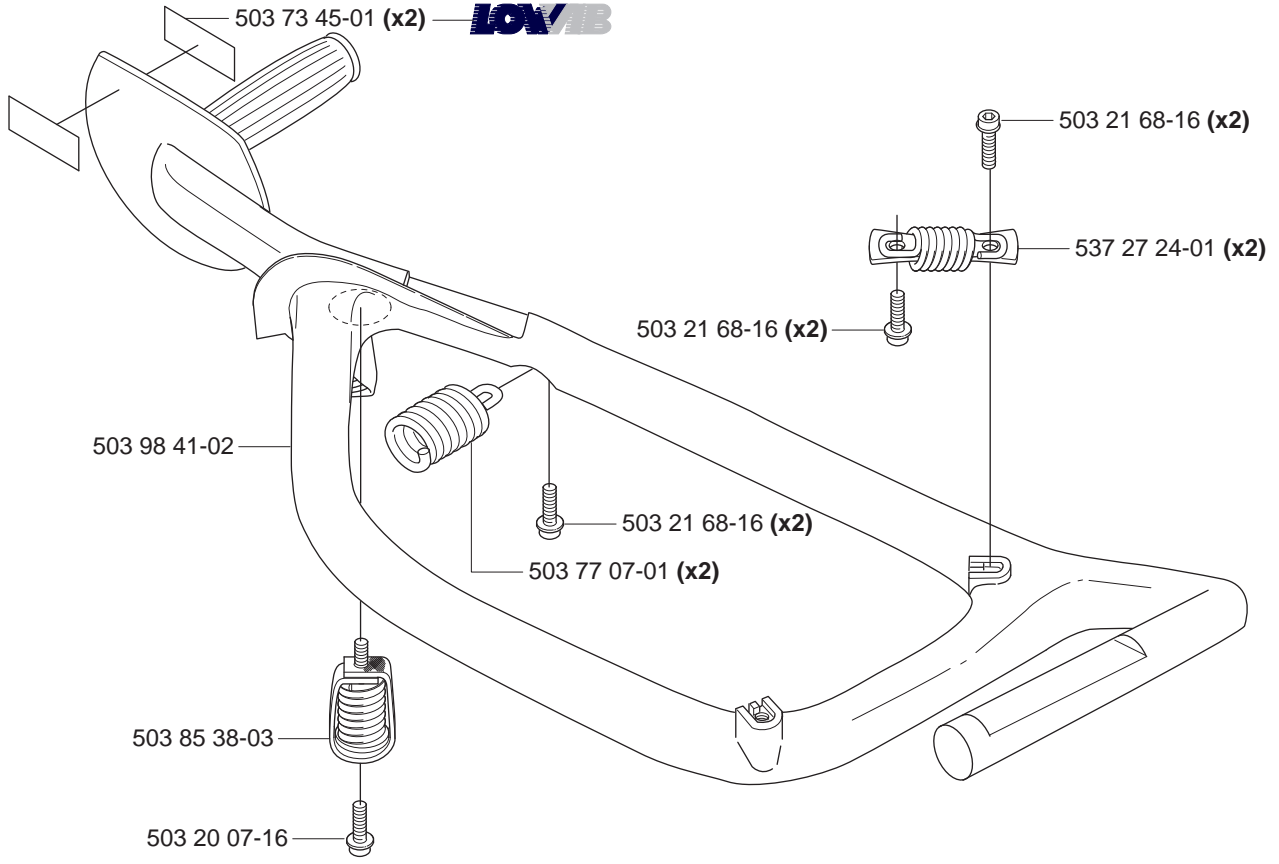
K

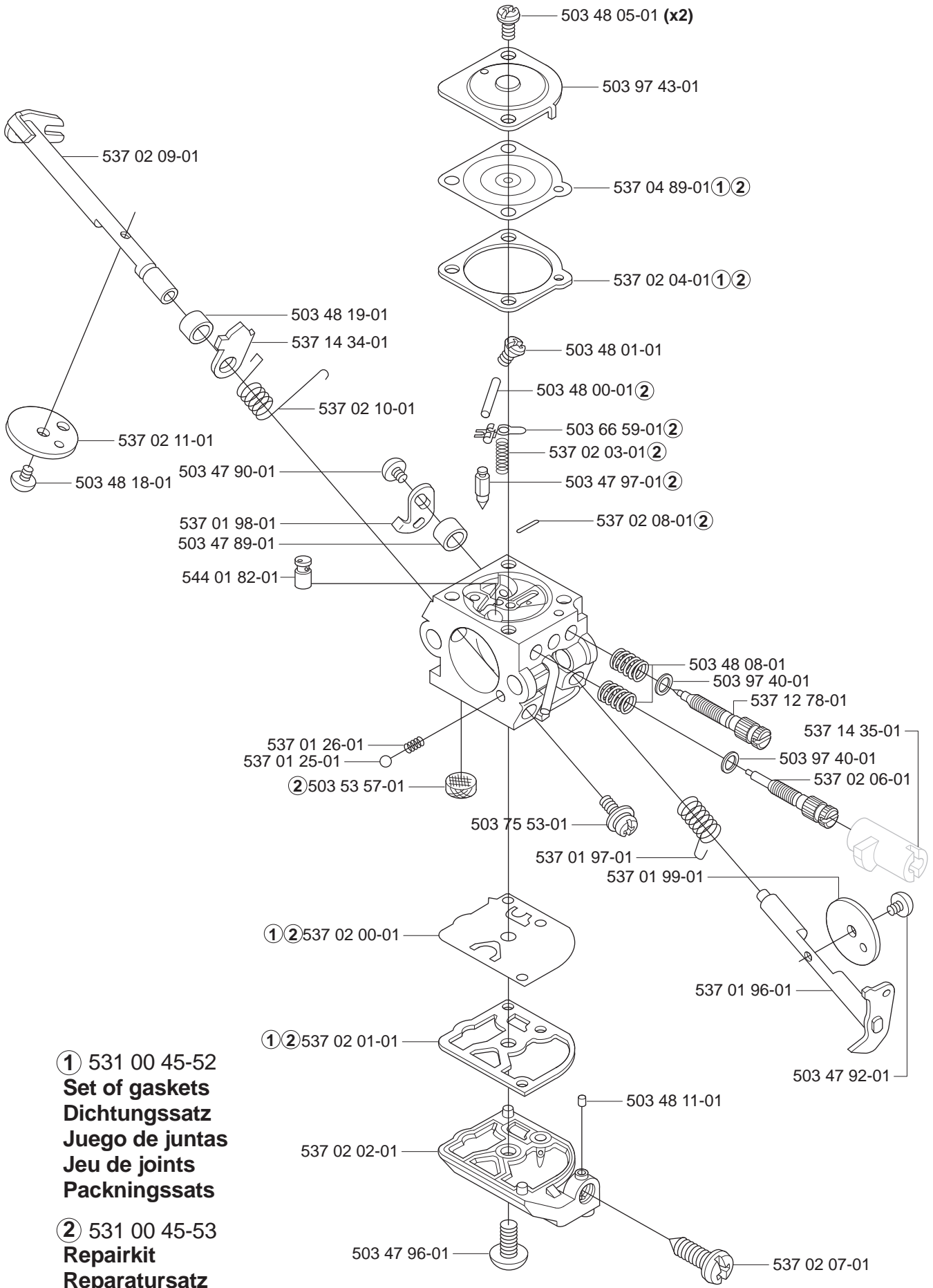
*compl 537 06 74-73



L

503 73 45-01 (x2) **LOVIB**

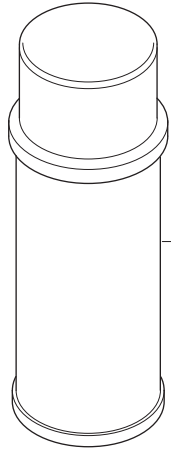
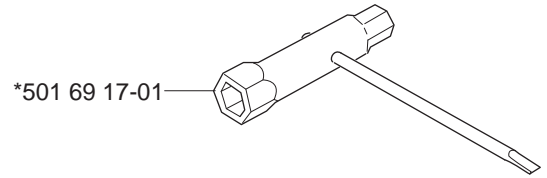
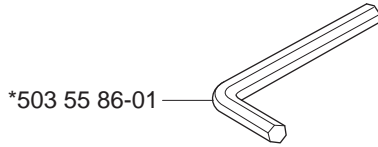




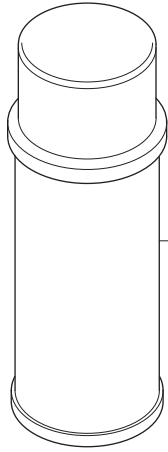
① 531 00 45-52
Set of gaskets
Dichtungssatz
Juego de juntas
Jeu de joints
Packningssatz

② 531 00 45-53
Repairkit
Reparatursatz
Juego de reparación
Kit de réparation
Reparationssatz

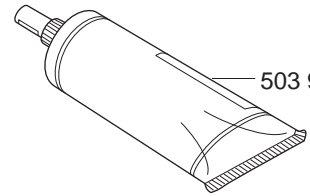
N Accessories
Zubehöre
Accessoires
Acessorios
Tillbehör
*compl 502 21 60-09



531 00 75-13 **UL22**



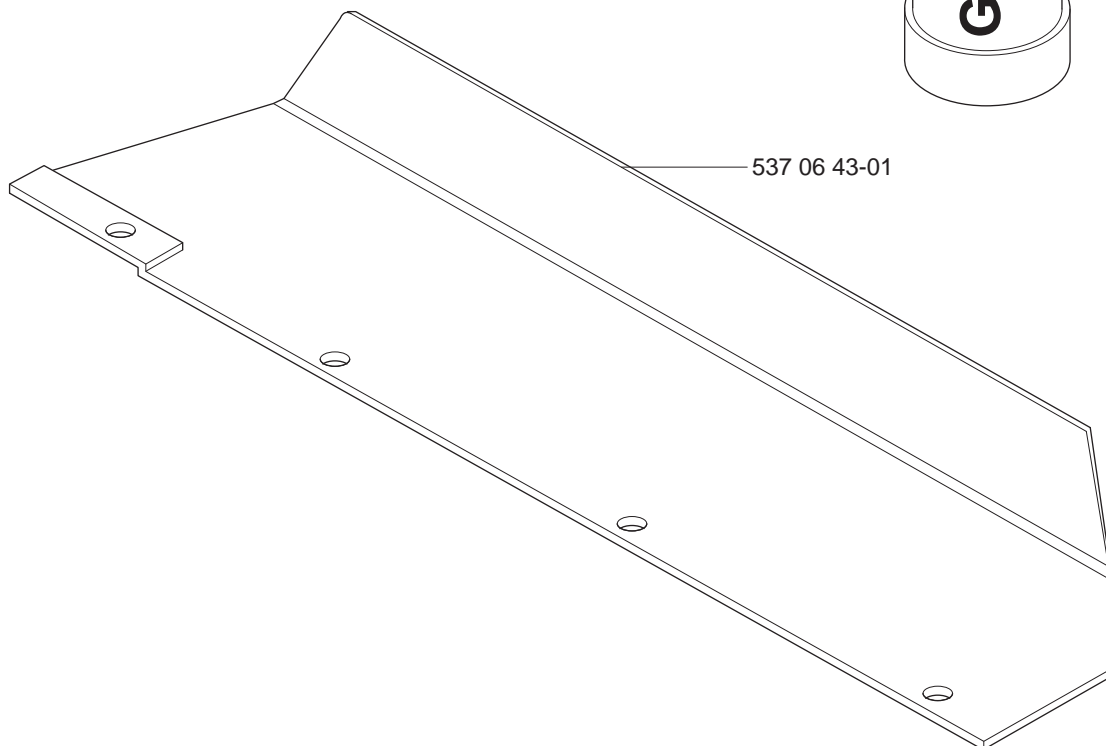
531 00 75-12 **UL21**



503 98 96-02*



531 00 92-05



537 06 43-01